



Cladding Installation Instruction



Important

- The dasso XTR/CETCH outdoor wallboard board is a natural product, and some variation in color, grain and appearance is normal. Color can change fast from original to brown or grey, depending on the climatic conditions and maintenance schedule.

- Small cracks and splinters on the surface and on the end of the boards can arise from the different drying characteristics of the surface and cross cut ends. The surface will also get rougher over time. This phenomenon is normal for most wood species and is minimized for this product by its patented heat treatment production method. Cracks can be further minimized by applying wax on the ends of the boards.

- Keep at least 5-6 mm ventilation space between the boards (in vertical direction). Installation with dasso XTR/CETCH fasteners ensures correct spacing automatically.

dassoXTR dassoCETCH for Exterior Use

- Because of the stability of the boards and the shape of the end-match system no expansion space is needed on the length (the end of the boards).
- Failure to end seal the boards at the time of installation will void any claims made against the warranty.

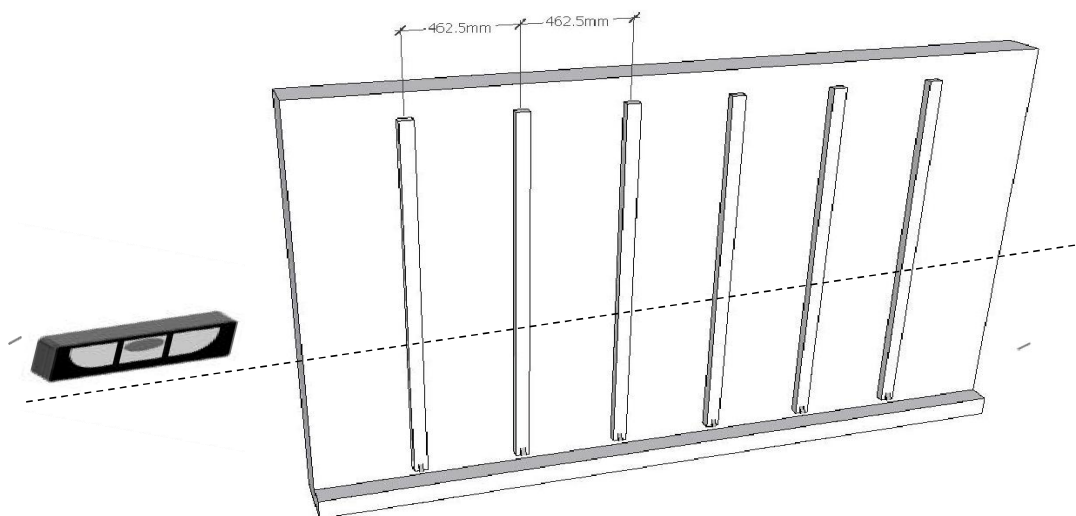
The installation :

- install sub-beam according to the frame line firstly, sub-beam need to be leveling to meet the design requirement and local code requirement.

- The distance between two lines should be no more than 462.5mm

- The wall cladding could be installed vertically or horizontally. While, if installed vertically, the bottom board should be fixed by screw to avoid sliding.

- Please note: At the edges of the cladding, keep a distance of 5-10 mm from adjacent materials, to allow for sufficient ventilation.





Notes

When the expansion bolt is drilled into the wall, it should be together with the water-proof glue.

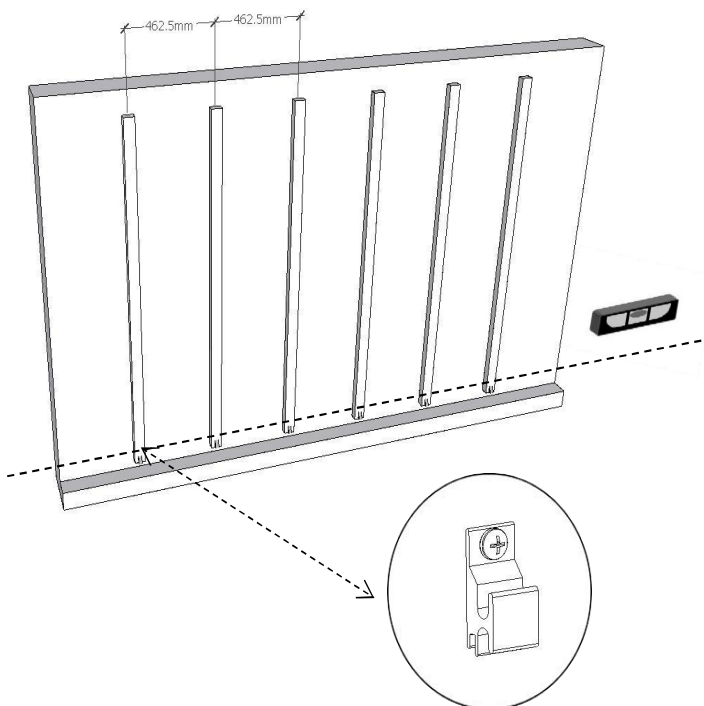
When the installation of sub-beam finished, the whole wall should apply water-proof glue. Please clear up the ground and keep clean before installation.

Choose a sunny or cloudy day to do the installation, avoid the terrible weather such as rainy or snowy days.

The installation

•STEP 1 levelling first row of fasteners

- Start with the lowest row of fasteners and make sure they are placed fully level (using a spirit level).

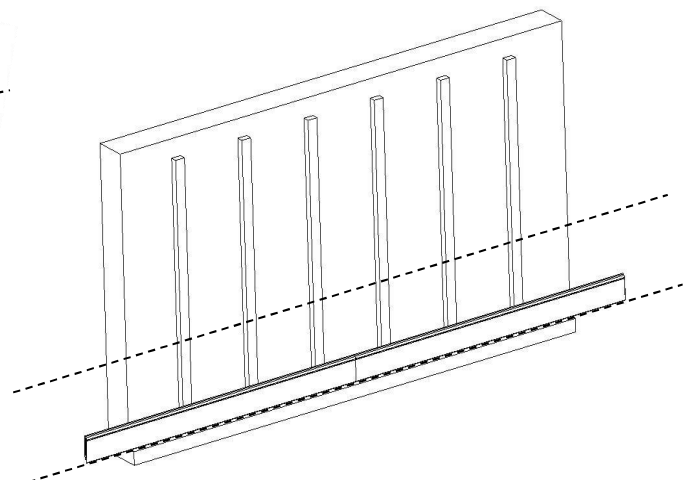


•STEP 2 install first row of boards

-Holding the first boards level, slide the lip of the groove on the lower edge behind the tabs on the fasteners.

-Make sure that the fasteners engage deeply enough in the groove so that the boards lay level. Tapping the boards should be done carefully, preferably with a rubber mallet.

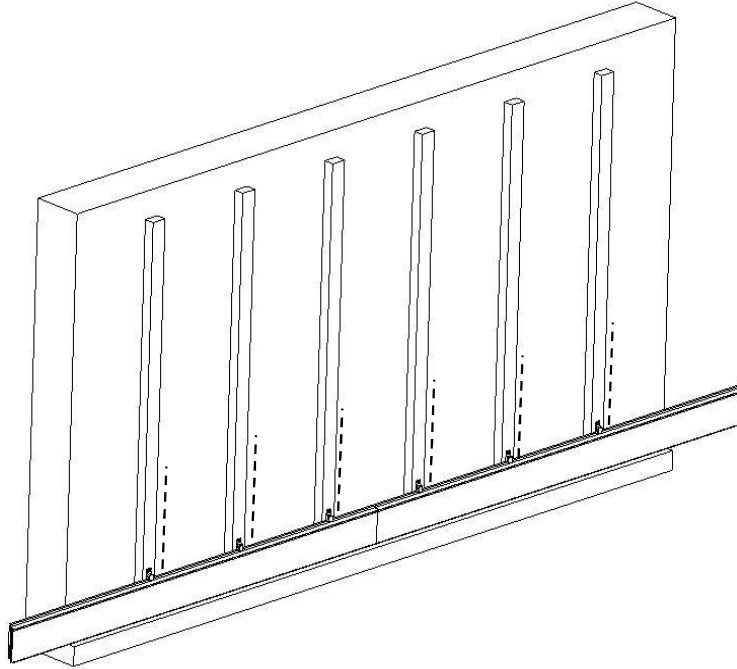
-We advise always fixing the end (end joints) of the boards on a batten/ beam, using 2 fasteners.



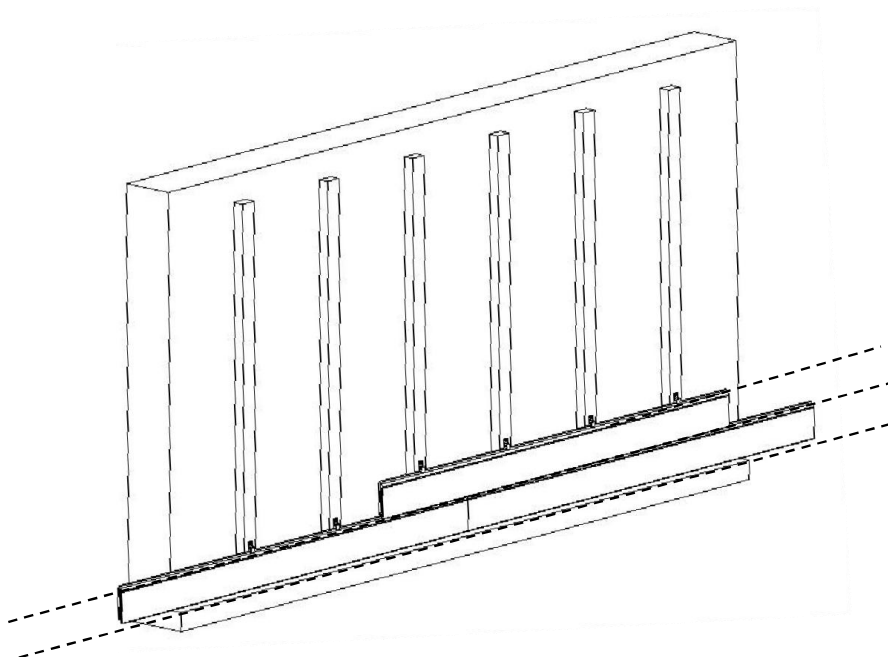


•STEP 3 second row of fasteners

-Install the second row of fasteners, pushing them down on the top edge of the first row of boards.



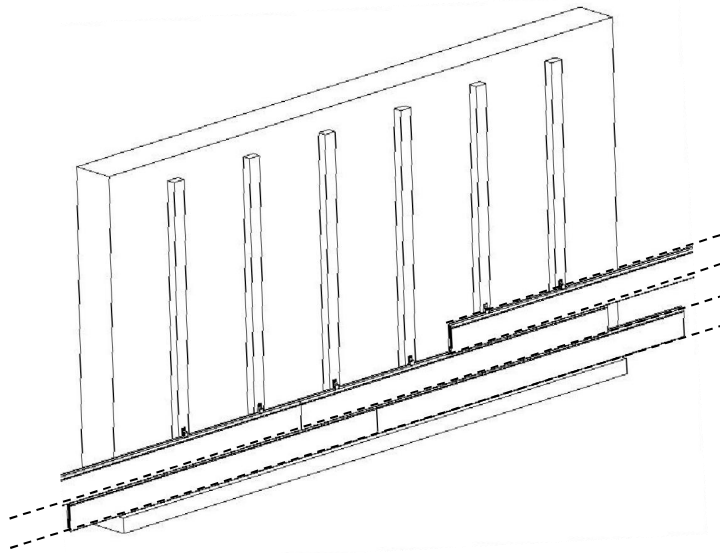
STEP 4 install second row of boards





- STEP 5 continue with the rest

-Continue to install the cladding boards in this way to cover the full surface. Make sure you keep the fasteners level and make sure enough ventilation space (5-10 mm) is kept on the edge.



Maintenance

It is possible to leave the cladding without maintenance; the result will be a rough and grey appearance. If you want to keep a darker colour, regular application of oil/saturator is needed:

- Clean the cladding with water.
- Let the cladding dry.

When the cladding is completely dry apply the oil or saturator according to the supplier's instructions.

Storing

Dasso XTR/cetch boards should be kept out of direct sunlight. The surface of boards should keep dry and can't touch the ground directly.

Additional note

Whilst all due care is taken to ensure the accuracy of the installation instructions, individual circumstances (location, sub structure and installation procedures) may vary and are beyond the manufacturer's control. In case of doubt, therefore, consult the distributor.



Whole drawing:

